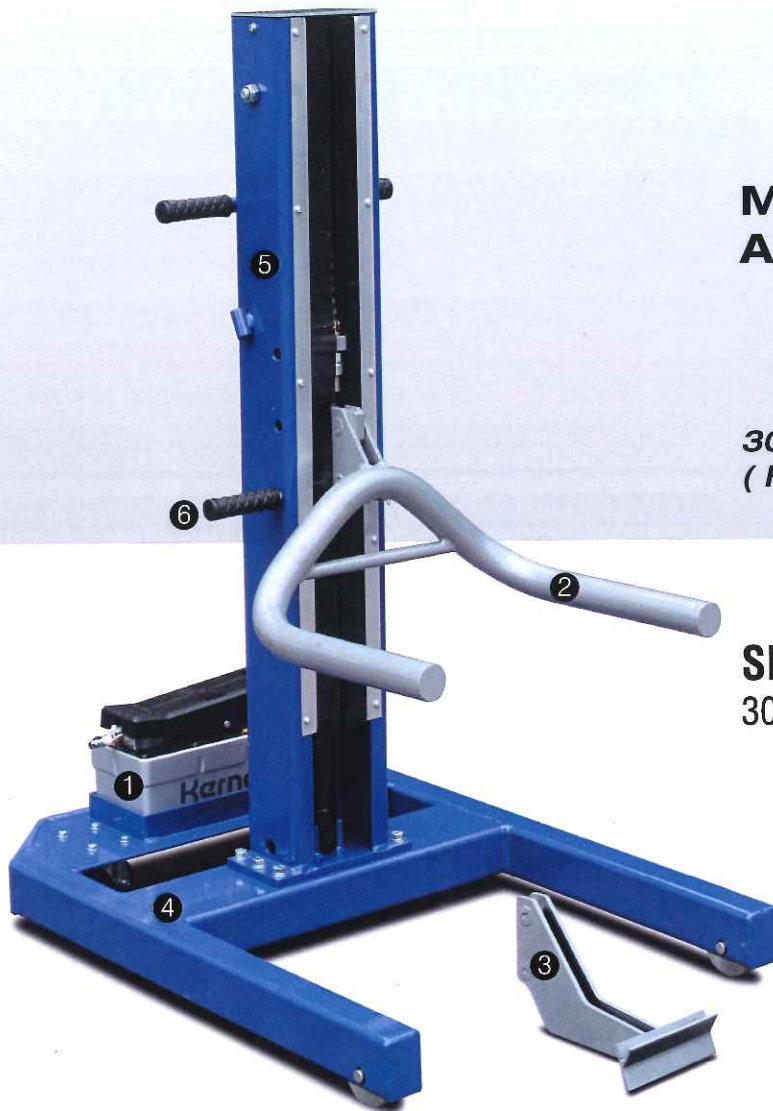


SIDE LIFT

Mobile Side Lift Air Hydraulic

*3000 Lbs lifting capacity per column
(For Max. Vehicle Weight 6600 Lbs)*

SL010S / 182093
3000 Lbs



- ① Air Hydraulic Pump (Foot Operated)
- ② Fork for Wheels
- ③ Fork for Underdoor
- ④ Base Structure
- ⑤ Column
- ⑥ Safety Pin

Features

Great Equipment for Home Garage and Auto-body Shops

Kernel® Mobile Side Lift is designed as a significant assistance to home garage and auto-body shops. Its single post design with two Omni-directional wheels makes it easy to move. With the max-height of 29-1/2", Kernel® Mobile Side Lift allows the operator to work on wheels or under doors at man's height. It's perfect for mechanical repair, bodywork, repainting & so much more.

Various Applications with Proper Adaptors

Equipped with proper adaptors, Kernel® Mobile Side Lift can lift the vehicle from the front or from the back to bring it in a position which allows an ergonomic working position while welding, grinding and painting works.

Also with proper accessories, Kernel® Mobile Side Lift can be used as a tyredolly, a mobile crane, a gearbox lifter ... etc.

Powerful and Reliable Hydraulic Lifting System

Kernel® Mobile Side Lift powered by a Kernel® air-hydraulic pump with heavy-duty aluminum reservoir, It can be easily controlled by one foot for lifting and lowering. Specially designed cylinder safety valve prevent overloading and in case of hydraulic pipe fracture.

Easy and Efficient Manual Block

Kernel® Mobile Side Lift uses a manual safety pin as a safety device which permits the column carriage to be blocked during the working operations. A spring catch also provide extra protection while the safety pin is in position.

Pair Work for Axle Lifting

Kernel® Mobile Side Lift can be used in systems of two for axle lifting or even worked in systems of 4 columns to lift a car or van off the ground totally.

Pair Work for Axle Lifting



Optional

**Air Hydraulic Pump
(Hand Operated)**



Optional

Air-Supply Switch

For Remote Control Application

SIDE LIFT

Multiple Way of Lifting for Various Applications



Lifting on the Front Wheel



Lifting on the Underdoor



Lifting on the Rear Wheel

Traditional Bodywork



Ergonomic Working Position



SIDE LIFT

Wheel Trolley



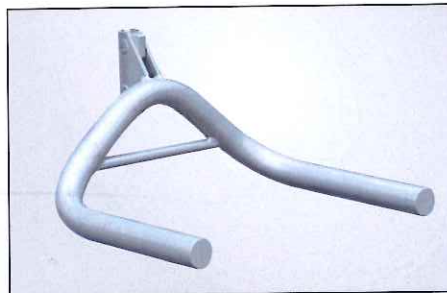
For Underdoor Lifting Use



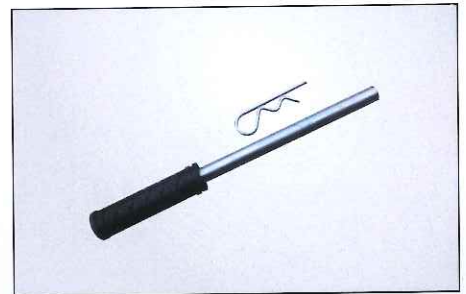
Accessories



Fork for Underdoor



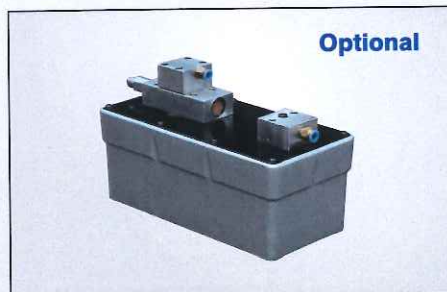
Fork for Wheels



Safety Pin with Spring Catch



Air Hydraulic Pump



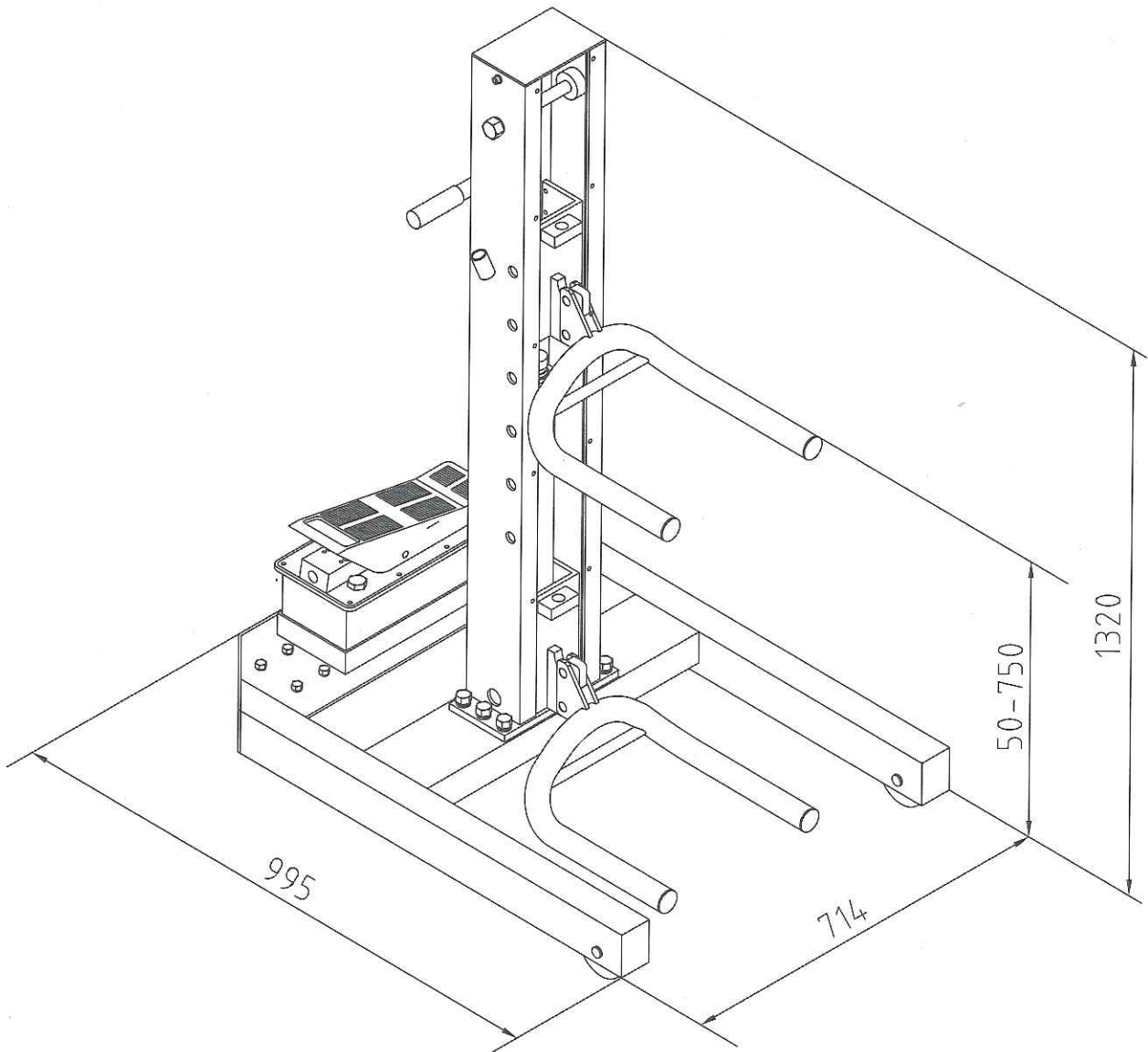
Optional

Air Hydraulic Pump



Optional

Air-Supply Switch


Technical Data

Lifting Capacity	3000 Lbs
Max Vehicle Weight	6600 Lbs
Lifting Height	2"~29.5"
Max. Lifting Time	2'30 s
Max. Pump Pressure	5800 psi
Air Pressure Range	1.72~8.62 bar
Height Overall	52"
Footprint	39" x 28"
Net Weight	281 Lbs
Gross Weight	298 Lbs
Qty in 20' Container	60 Units
Qty in 40' Container	120 Units
Shipping Dimensions	48" X 29.5" X15"