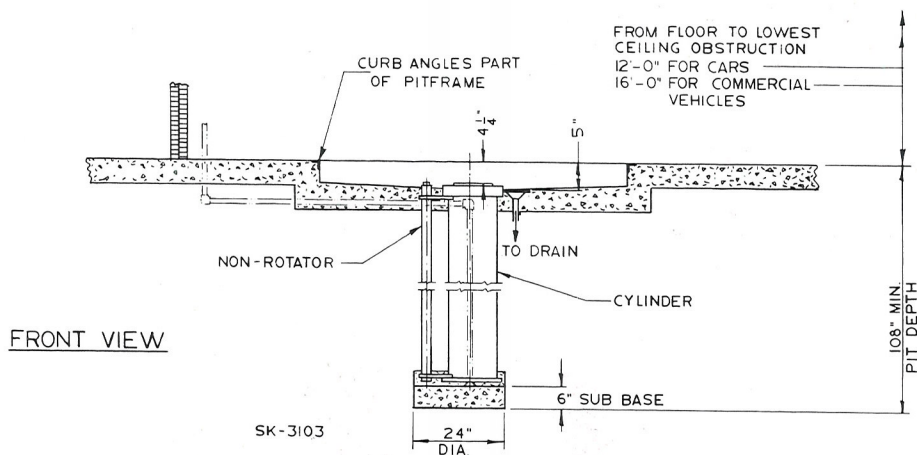
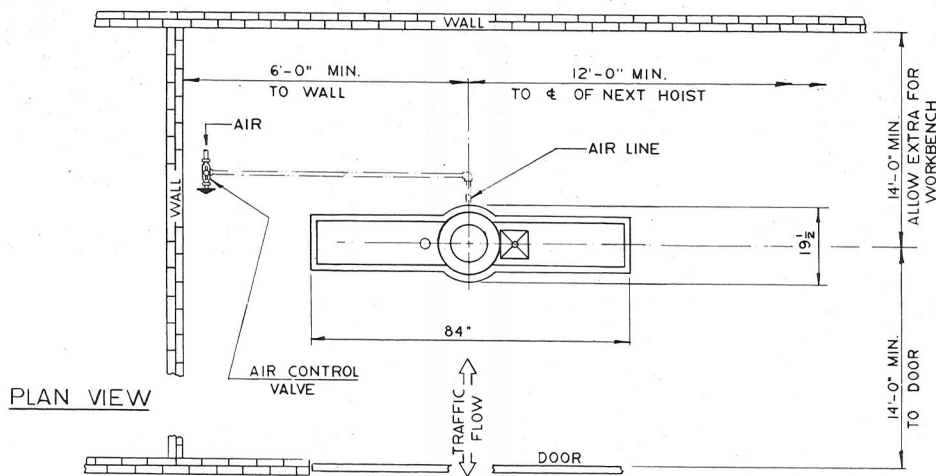
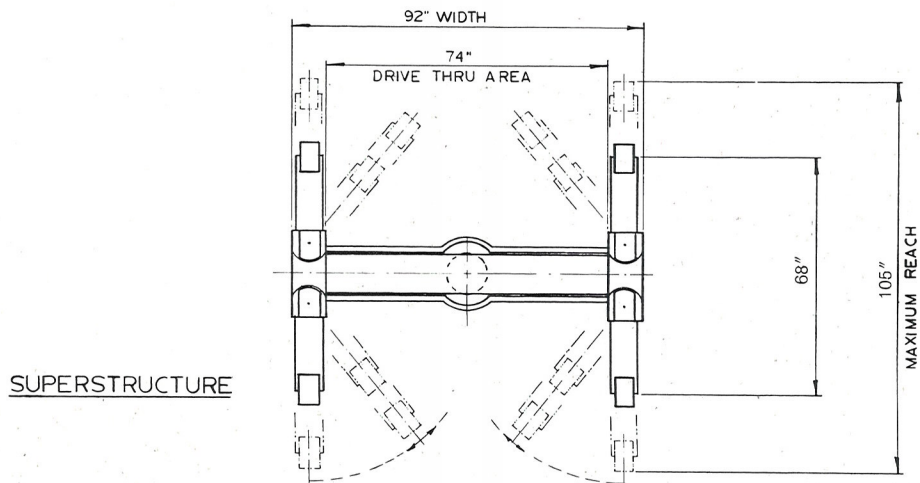


Typical layout 'DRIVE-THRU' model FDT-10AS Frame Contact Hoist

FOR REFERENCE ONLY — DO NOT USE FOR INSTALLATION.



FORD-SMITH MACHINE COMPANY LIMITED

PHONE 643-1273

675 IDLEWILDE AVENUE, FRUITLAND, ONTARIO L0R 1L0

TELEX 061-8254

FORD-SMITH COMPAGNIE, LIMITEE

PHONE 739-4751

5643 RUE FERRIER, MONTREAL, QUEBEC H4P 1N1

TELEX 01-20031

FORM U-112