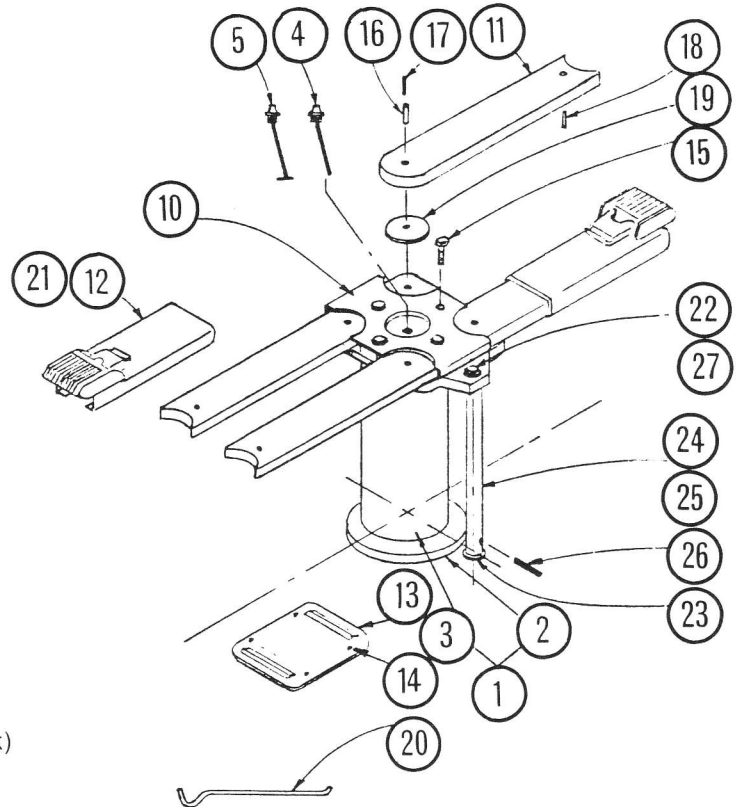


FS-10

PARTS LIST

ITEM	QTY.	PART No.	DESCRIPTION
FS-10-AS			
1	1	203233	Cylinder Assembly
2	1	203247	Cylinder Casing Only
3	1	203241	Plunger Assembly
4	1	203129	Oil Gauge Stick
FS-10-BS AND BSL			
1	1	203239	Cylinder Assembly
2	1	203249	Cylinder Casing Only
3	1	203245	Plunger Assembly
FS-10-ASL			
1	1	203237	Cylinder Assembly
2	1	203247	Cylinder Casing Only
3	1	203243	Plunger Assembly
5	1	203131	Oil Gauge Stick
CONTROLS			
6	1	10932	Air Exhaust Muffler
7	1	11092	1/2" Air Valve (Non-Lock)
6	1	10932	Air Exhaust Muffler
8	1	11093	1/2" Air Valve (Double-Lock)
9	1	12615	1" Oil Valve
COMMON PARTS			
10	1	203116	Bolster Assembly
11	4	101658	Swivel Arms
12	4	101655	Pad and Sleeve Assembly (Std.)
13	1	100199	Wheelstop
14	4	10960	Rawl Drive Pins
15	4	11218	Hex. Hd. Bolt — 7/8" - 9 NC x 4-1/2" LG
16	4	10980	1/2" x 2-1/2" Spring Pin
17	4	10983	5/16" x 2-1/2" Spring Pin
18	4	11765	3/8" x 1-1/2" Spring Pin
19	4	100196	Washer
20	1	100778	Positioning Rod
21	4	100776	Pad and Sleeve Assembly (Short)
NON-ROTATOR			
22	1	10082	Hex. Hd. Bolt — 1" - 8 NC x 2-1/2" LG
23	1	203130	Non-Rotator Casing
24	1	102545	Non-Rotator Plunger (Auto.)
25	1	100762	Non-Rotator Plunger (Manual)
26	1	102649	Safety Bar
27	1	10656	Washer
PAD AND SLEEVE ASSY. (4 POSITION)			
28	1	100772	Swivel Base
29	1	100774	Swivel Pin
30	1	100773	Swivel Pad
31	1	101656	Sliding Base (Std.)
32	2	11026	Stop Pin
33	1	100777	Sliding Base (Short)



**PAD AND SLEEVE ASSEMBLY
(4 POSITION)**

