

Polyethylene vertical body oil-water separator

NEW!



The ACO Oleopator P is a range of oil/water separators that allow sediments and light liquids to be separated out simultaneously in one tank.

The Oleopator P separators are designed to achieve high performance at large flows in a compact tank.

The process uses gravity and a coalescing unit to separate oils, suspended solids and clean water in one chamber. All separators include - as standard features - coalescing units and automatic outlet closing devices for situations when maximum oil storage capacities are exceeded.

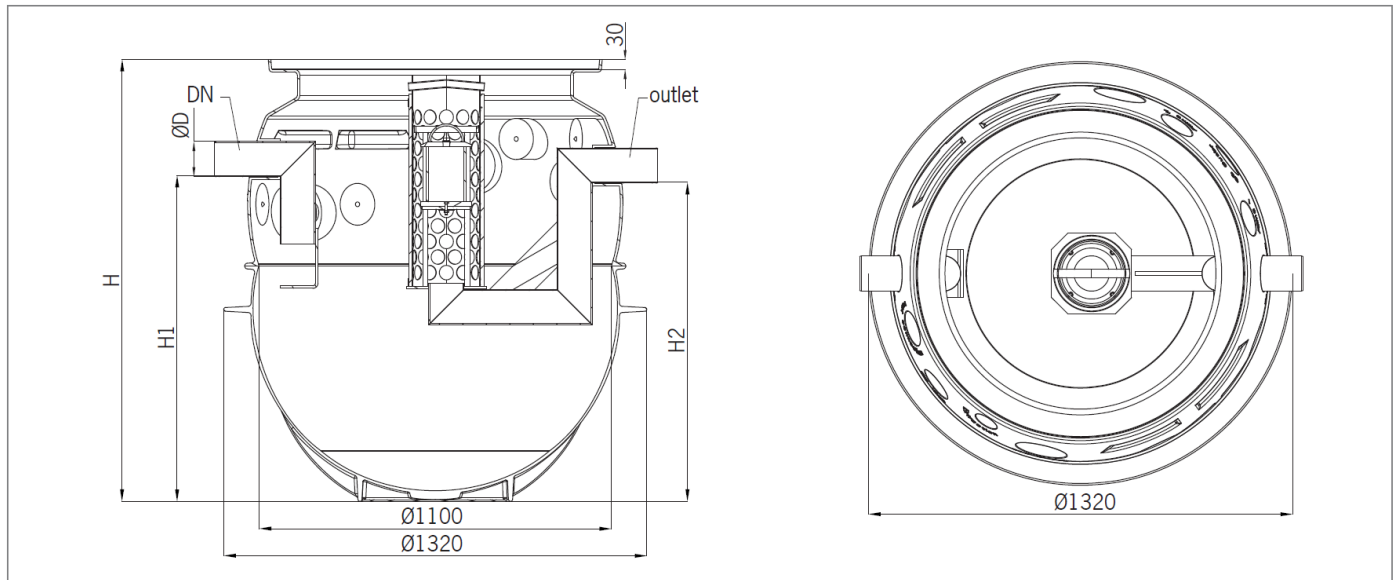
The ACO Oleopator P separators are designed and constructed to comply with EN858 standards and are CE marked and independently tested for hydraulic performance and structural stability.

ACO Oleopator P features:

- **Under 5mg/L (5ppm) oil in effluent water**
- Tank structural stability guaranteed for 50 years
- Resists uplift forces from water table up to the finished grade
- Alarm systems available for high liquid level, maximum oil and maximum solids storage capacities reached
- Available remote emptying system
- Available air tight covers for pedestrian areas and heavy duty areas
- Replaceable coalescing unit
- Mechanical shut-off valve
- Easy maintenance

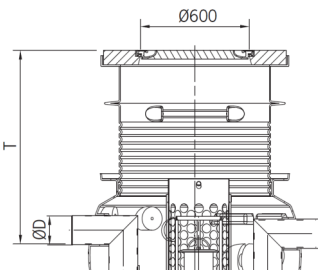


DIMENSIONS



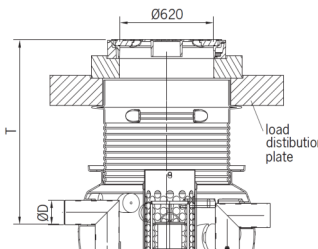
Model number	Maximum flow* L/s (gpm)	Pipes size D mm (in)	Volume solids trap L (gal)	Volume oil storage L (gal)	Total capacity L (gal)	H mm (in)	H1 mm (in)	H2 mm (in)	Article No.
NS3/450	3 (48)	100 (4)	450 (119)	240 (64)	775 (205)	1377 (54)	1020 (40)	1000 (39)	3903.80.00
NS3/670	3 (48)	100 (4)	670 (177)	240 (64)	995 (263)	1594 (63)	1230 (48)	1210 (48)	3913.80.00
NS3/950	3 (48)	100 (4)	950 (251)	240 (64)	1280 (339)	1865 (74)	1500 (59)	1480 (58)	3923.80.00
NS6/660	6 (95)	150 (6)	660 (175)	235 (62)	970 (257)	1594 (63)	1210 (48)	1190 (47)	3906.80.00
NS6/1210	6 (95)	150 (6)	1210 (320)	235 (62)	1525 (404)	2129 (84)	1740 (69)	1720 (68)	3916.80.00
NS10/1080	10 (160)	150 (6)	1080 (286)	260 (69)	1615 (427)	2129 (84)	1740 (69)	1720 (68)	3910.80.00

* Maximum flow indicated is for optimum performance - under 5mg/L hydrocarbons in effluent; higher flows can run through separator



Top section - pedestrian loading

	NS3/300	NS3/600	NS3/900	NS6/600	NS6/1200	NS10	Article No.
T mm (in)	420 (16.5)			440 (17.3)			3301.14.00
	730-1030 (28.7-40.6)			750-1050 (29.5-41.3)			3301.14.01
	730-1510 (28.7-59.4)			750-1800 (29.5-70.9)			3301.14.02



Top section - heavy loading

	NS3/300	NS3/600	NS3/900	NS6/600	NS6/1200	NS10	Article No.
T mm (in)	865-1770 (34.0-69.7)		885-1500 (34.8-59.0)		885-1860 (34.8-73.2)		3301.14.02

NOTE: 1500mm (59in) diameter concrete load distribution plate by others

ACO Systems, Ltd.
 PO Box 77280 RPO Courtneypark
 Mississauga, ON L5T 2P4
 Tel: (905) 564 - 8733
 Fax: (905) 564 - 9233
 E-mail: info@acocan.ca

© April 2012 ACO Systems, Ltd.
 This information is believed to be accurate but it is not guaranteed to be so. We cannot assume liability for results that buyer obtains with our product since conditions of use are beyond the control of the company. It is the customer's responsibility to evaluate suitability and safety of product for his own use. ACO Systems, Ltd. reserves the right to change the product and specifications without notice.

