

# CL Challenger Lifts



## NEW

Optional 2' column height extensions accommodate higher profile vehicles. Includes (2) height extensions, hose extension kit and new cables.

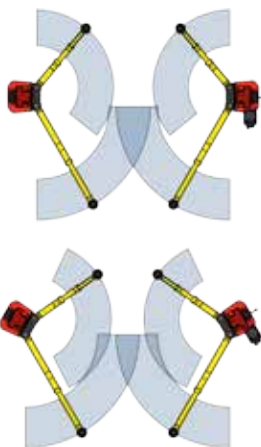
**Part#: SA10EH2**



## SA10



**Model#: SA10**  
Symmetric/Asymmetric 2-Post Lift  
10,000 lb. capacity



### Arm Coverage

Symmetrical Configuration

3-Stage front and 2-Stage rear arms.

Asymmetrical Configuration

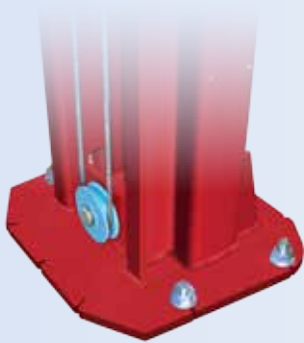
3-Stage front and 2-Stage rear arms.

Challenger Lifts' SA10 features the ability to be configured in either the symmetric or asymmetric position dependant upon the service requirements of your shop. The SA10 features 3-stage front arms that provide maximum extension and retraction ensuring safe and reliable lifting on all vehicles within rated capacity.

With adjustable height and width options, double telescoping screw pads, durable powder coat finish, plated arm restraints and pins and many other appealing features, the SA10 will accommodate the rigorous demands of a full service facility. Available in red and blue.

## Features & Benefits:

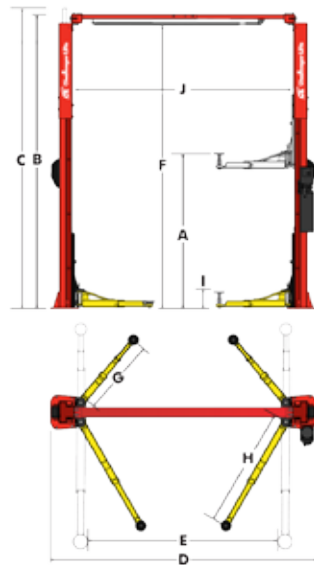
- 3-stage front arms provide greater overall arm sweep
- Set up in a symmetric or asymmetric configuration
- Adjustable height and width options accommodate varying service bay sizes
- Available with optional 2' column height extension to accommodate higher profile vehicles
- Double Telescoping Screw Pads adjust to multiple heights minimizing the need for adapters
- Rubber foot pads minimize stress to vehicles with delicate undercoatings
- Padded overhead shut off system prevents vehicle damage
- Single-point mechanical lock release system allows technician to disengage both columns simultaneously
- Wide rubber door guards protect vehicle from door damage
- Premium powder coat finish provides long-lasting durability
- Plated Arm Restraints and Arm Pins inhibit rust and provide long-lasting durability
- Mirrored "S" shaped column



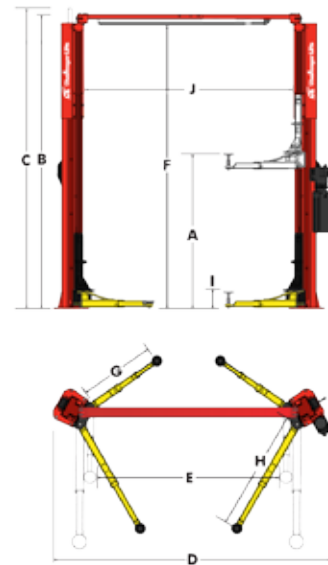
|                                    |                                    | SA10   |  |
|------------------------------------|------------------------------------|--|--|
|                                    |                                    | Symmetric Application  | Asymmetric Application   |
| Lifting Capacity                   |                                    | 10,000 lbs.  |  |
| <b>A</b>                           | Rise Height <sup>1</sup>           | 74 <sup>7</sup> / <sub>8</sub> " (1892mm)  |  |
| <b>B</b>                           | Overall Height                     | 11' 4 <sup>1</sup> / <sub>2</sub> " / 11' 10 <sup>1</sup> / <sub>2</sub> " (3467 / 3620mm) |  |
| <b>C</b>                           | Overall Height (Cylinder Extended) | 11' 10 <sup>1</sup> / <sub>2</sub> " (3620mm)  |  |
| - with SA10EH2 2' height extension |                                    | 13' 4 <sup>1</sup> / <sub>2</sub> " / 13' 10 <sup>1</sup> / <sub>2</sub> " (4077 / 4230mm) |  |
| <b>D</b>                           | Overall Base Width                 | 10' 9" / 11' 3" (3277 / 3429mm)  | 10' 11 <sup>1</sup> / <sub>2</sub> " / 11' 5 <sup>1</sup> / <sub>2</sub> " (3340 / 3493mm) |
| <b>E</b>                           | Drive-Thru Clearance               | 92 <sup>3</sup> / <sub>4</sub> " / 98 <sup>3</sup> / <sub>4</sub> " (2356 / 2508mm)        | 88 <sup>1</sup> / <sub>2</sub> " / 94 <sup>1</sup> / <sub>2</sub> " (2400 / 2426mm)        |
| <b>F</b>                           | Floor to Overhead Switch           | 131 <sup>1</sup> / <sub>8</sub> " / 137 <sup>1</sup> / <sub>8</sub> " (3331 / 2483mm)      |  |
| <b>G</b>                           | Short Arm Reach                    | 22 <sup>3</sup> / <sub>8</sub> " - 41 <sup>1</sup> / <sub>2</sub> " (568 - 1054mm)         |  |
| <b>H</b>                           | Long Arm Reach                     | 38 <sup>1</sup> / <sub>4</sub> " - 59" (972 - 1499mm)                                      |  |
| <b>I</b>                           | Screw Pad Height <sup>2</sup>      | 4 <sup>5</sup> / <sub>8</sub> " - 6 <sup>7</sup> / <sub>8</sub> " (111 - 165mm)            |  |
| <b>J</b>                           | Inside of Columns                  | 106 <sup>3</sup> / <sub>4</sub> " / 112 <sup>3</sup> / <sub>4</sub> " (2711 / 2864mm)      | 101 <sup>1</sup> / <sub>2</sub> " / 107 <sup>1</sup> / <sub>2</sub> " (2578 / 2731mm)      |
| Motor                              |                                    | 2HP, Single Phase, 60Hz  |  |
| Voltage                            |                                    | 208-230v   |  |
| Speed of Rise                      |                                    | 48 Seconds   |  |
| Max Load Per Arm                   |                                    | 2,500 lbs. (1134kg)  |  |
| Ceiling Height Required            |                                    | 12' (3658mm)   |  |

\*Lift capacity ratings are based on loads equally distributed on all four arms. <sup>1</sup> Rise height is measured with adjustable screw pads in highest position. <sup>2</sup> Specifications are listed without rubber pad, for measurements with rubber pad add 1/4" (6mm). <sup>3</sup> Overall Width of Asymmetric lift is 11' 3" / 11' 9" including Power Unit. \*\* Specifications are for Lift Model SA10 with optional accessory SA10EH2 column height extensions (Must order both SA10 and SA10EH2 for new lift purchase or E10EH2 for addition of 2' height extension to an existing lift.

Symmetric Application



Asymmetric Application



For more information, contact your Authorized Challenger Lifts Distributor:

Clifford Underwood Hydraulique  
 8445 rue Lafrenais  
 St-Léonard, QC H1P2B3  
 514-325-5210 1(800) 363-5438  
 cliffordunderwood.com



The Automotive Lift Institute (ALI) certifies that the SA10 described herein complies with the applicable provisions of the American National Standards ANSI/ALI ALCTV 2011 and is Third Party Validated by the ETL Testing Laboratory.

CHALLENGER LIFTS, INC.  
 200 Cabel Street  
 Louisville, Kentucky 40206

Phone Toll-Free: 800-648-5438  
 502-625-0700  
 Fax: 502-625-0711  
 E-mail: sales@challengelifts.com

Challenger Lifts, Inc. reserves the right to make changes to specifications without notice and without making changes retroactive. Unloading, installation and oil not included.