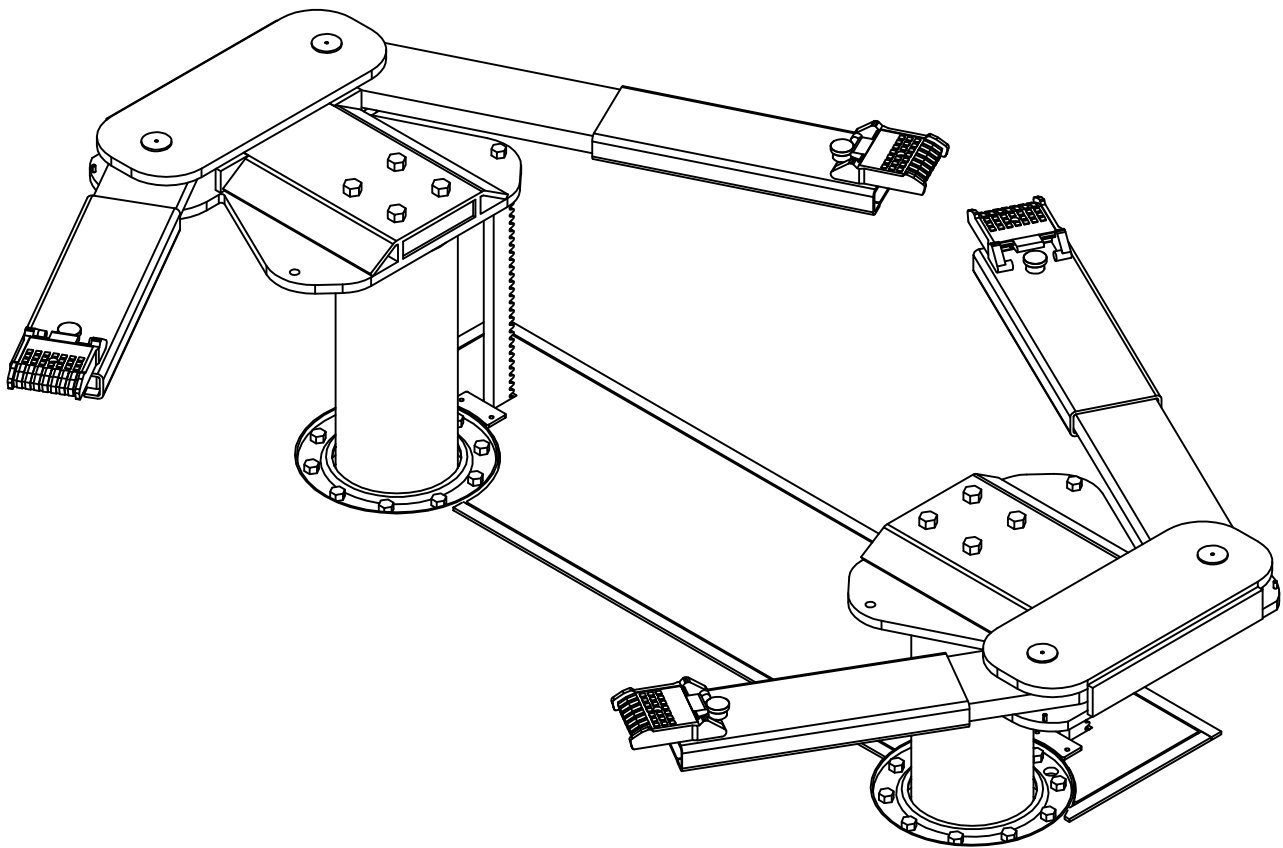




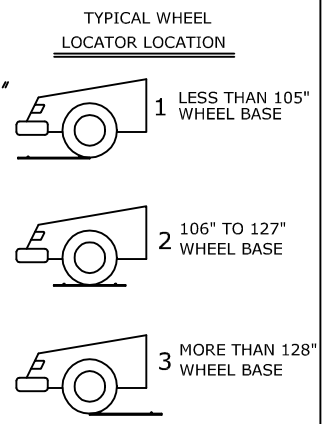
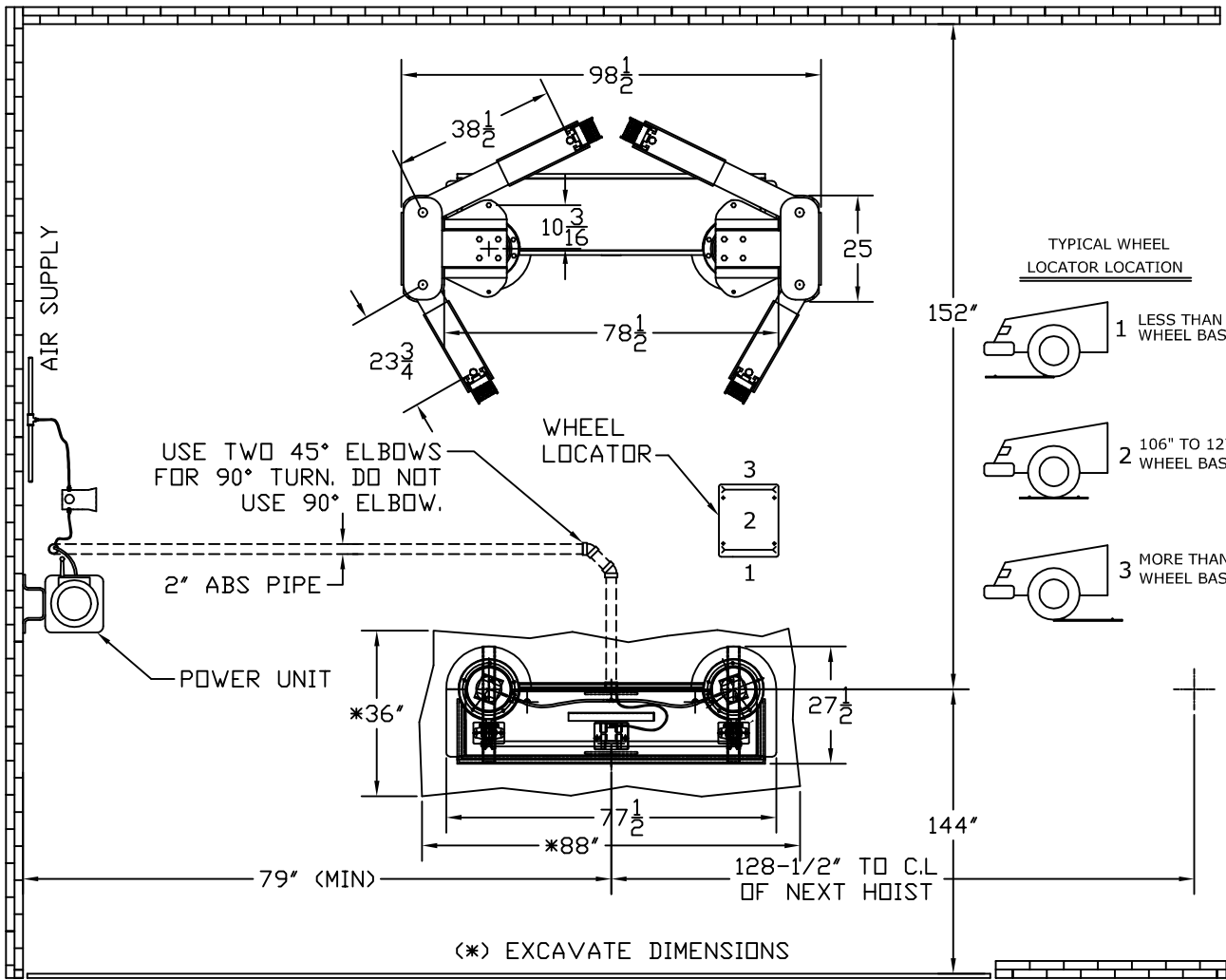
# INSTALLATION INSTRUCTIONS MAINTENANCE & OPERATIONS MANUAL



**MODEL: SS-28HP-57-1/2-8C**  
**CAPACITY: 8,000 LBS.**

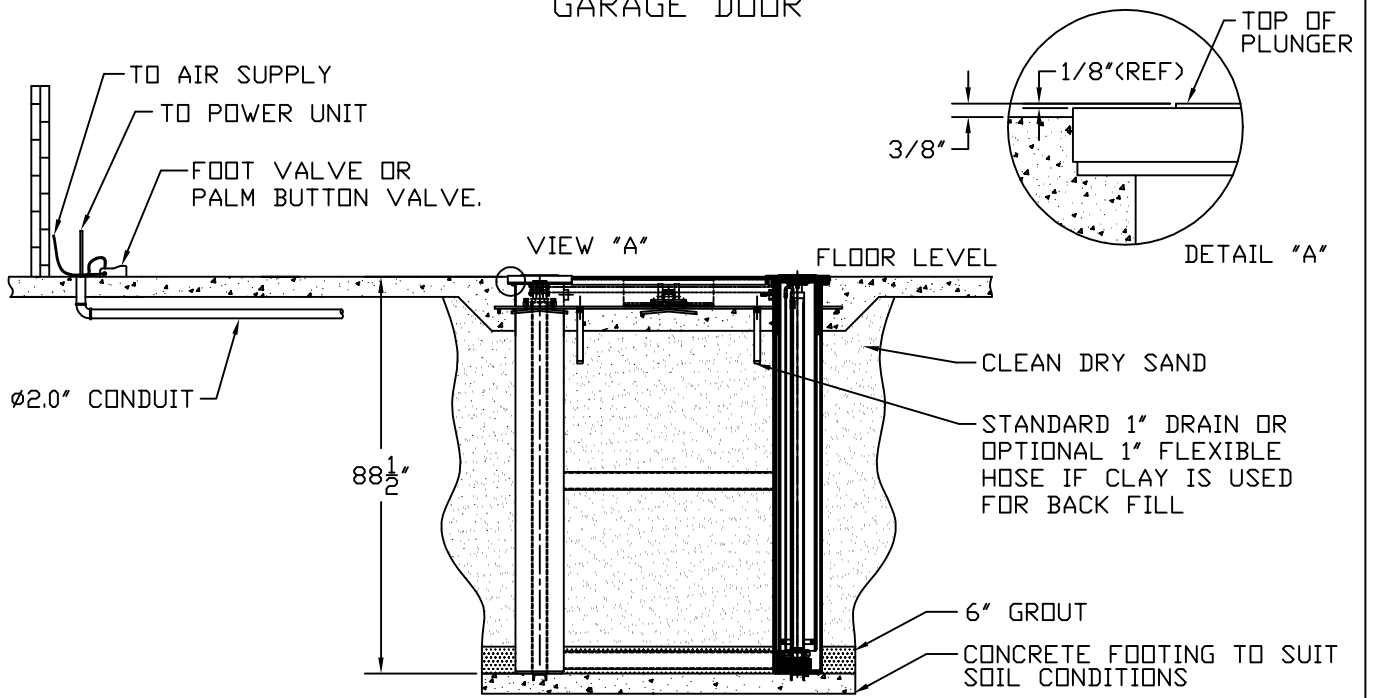
**ISS** INNOVATIVE  
STEEL SYSTEMS INC.

35 Sinclair Avenue, Georgetown, ON L7G 1J3  
t. 905.702.2778 ■ f. 905.702.2759 ■ tf. 1.800.567.0014  
www.issmfg.com ■ info@issmfg.com



(\* EXCAVATE DIMENSIONS)

GARAGE DOOR



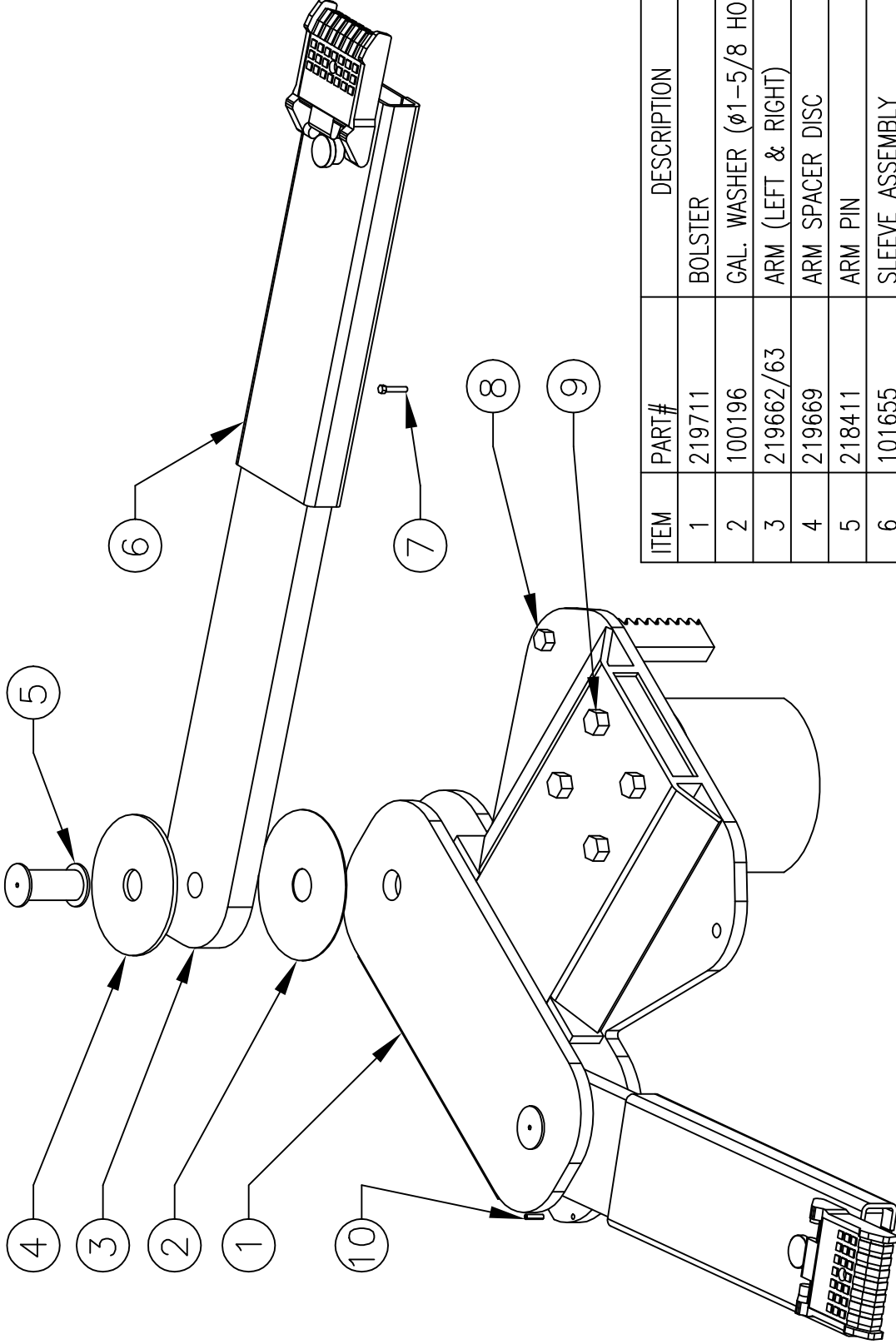
REV. C

This disclosure is to be maintained in confidence. All invention rights disclosed herein reserved by I.S.S.  
**ISS INNOVATIVE STEEL SYSTEMS INC.**

TITLE **INSTALLATION LAYOUT**  
 SS-28HP-57-1/2-10C

DATE **MAY 9 2006**

DWG. **128179**



ITEM	PART#	DESCRIPTION
1	219711	BOLSTER
2	100196	GAL. WASHER ( $\phi 1-5/8$ HOLE)
3	219662/63	ARM (LEFT & RIGHT)
4	219669	ARM SPACER DISC
5	218411	ARM PIN
6	101655	SLEEVE ASSEMBLY
7	10044	$1/2 \times 1-1/4$ LG. HEX BOLT
8	10060	HEX BOLT, $5/8 \times 2$
9	11169	HEX BOLT, $3/4 \times 4$
10	12527	ROLL PIN, $1/4 \times 1$

This drawing is to be maintained in accordance with the drawing control system herein required by U.S.S. INNOVATIVE SYSTEMS INC.

UNSPECIFIED LIMITS:  
 DEC.  $\pm 0.10$   
 DEC.  $\pm 0.05$   
 ANGLE  $\pm 1/2$   
 FRAC.  $\pm 1/16$

SCALE : NTS

APPR. DWG. KL

DATE MAY 19/06

SHT. 1 OF 1  
 DWG. 128178

REV	ZONE	REVISION DESCRIPTION	E.C.N. NO.	DATE	BY	CHKD

TITLE BOLSTER & ARM ASSEMBLY  
 SS-28-57-1/2-8C