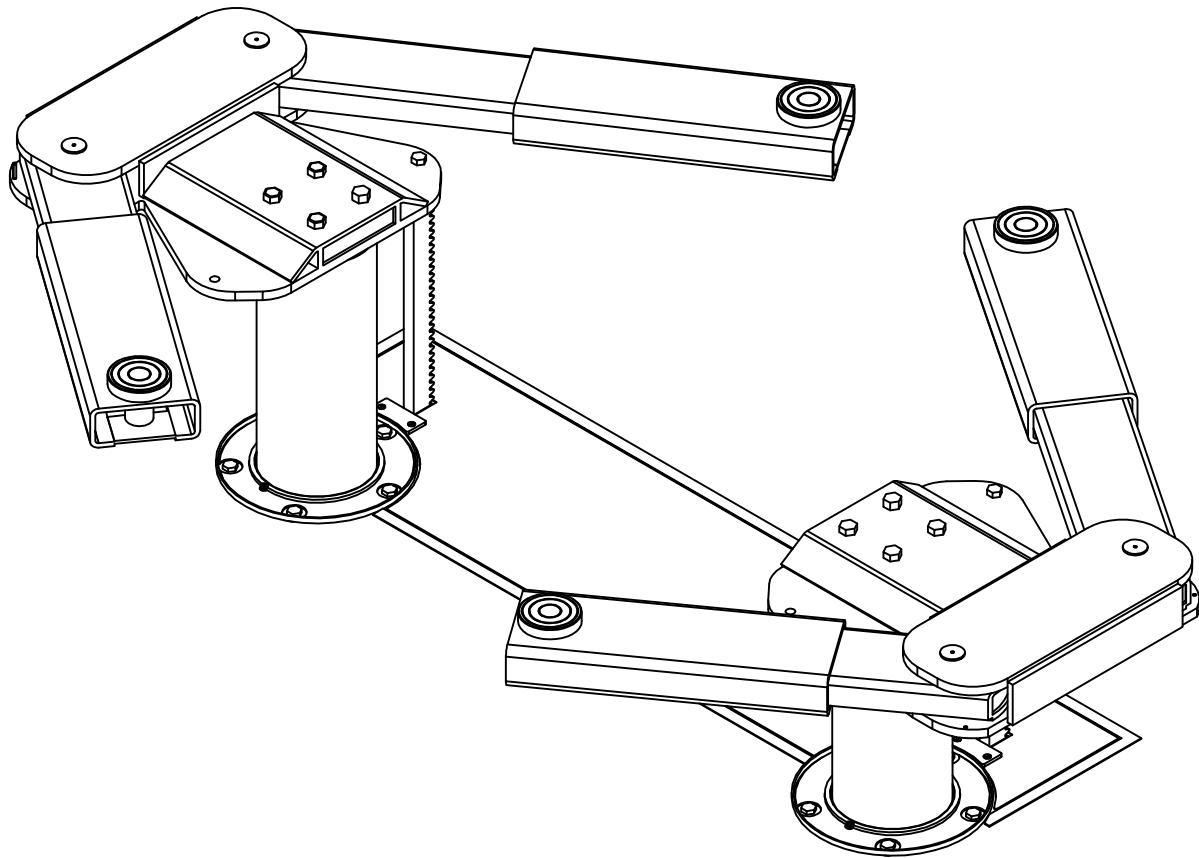




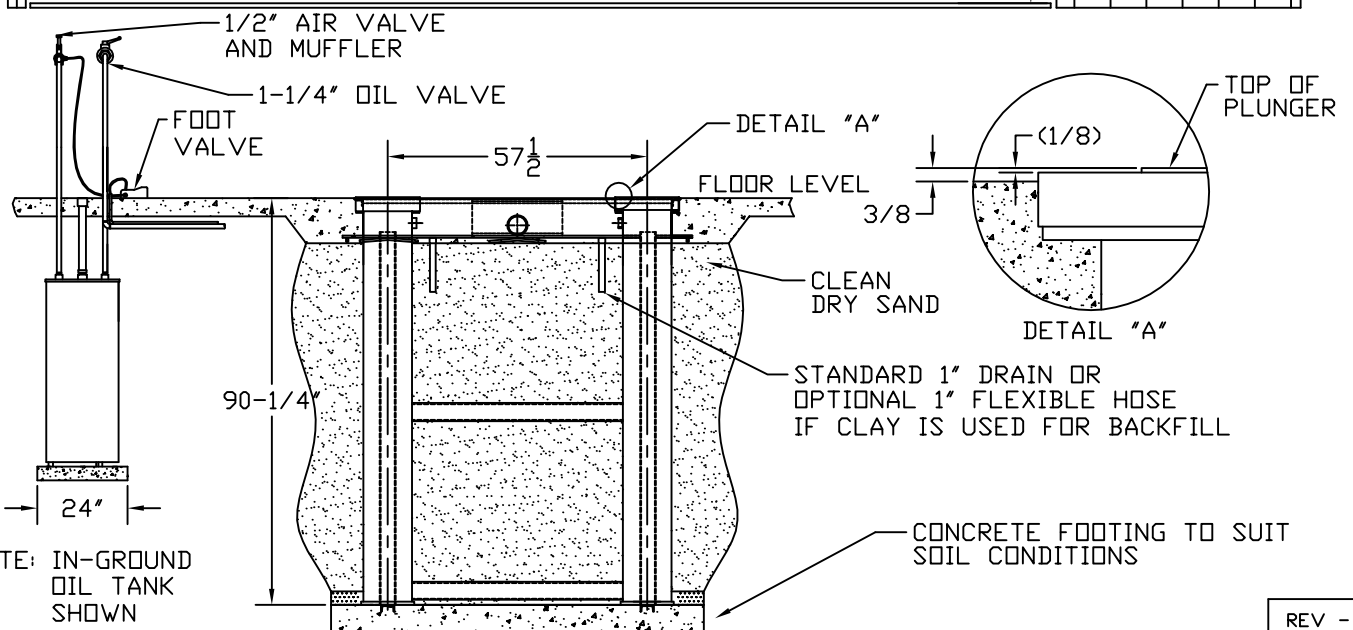
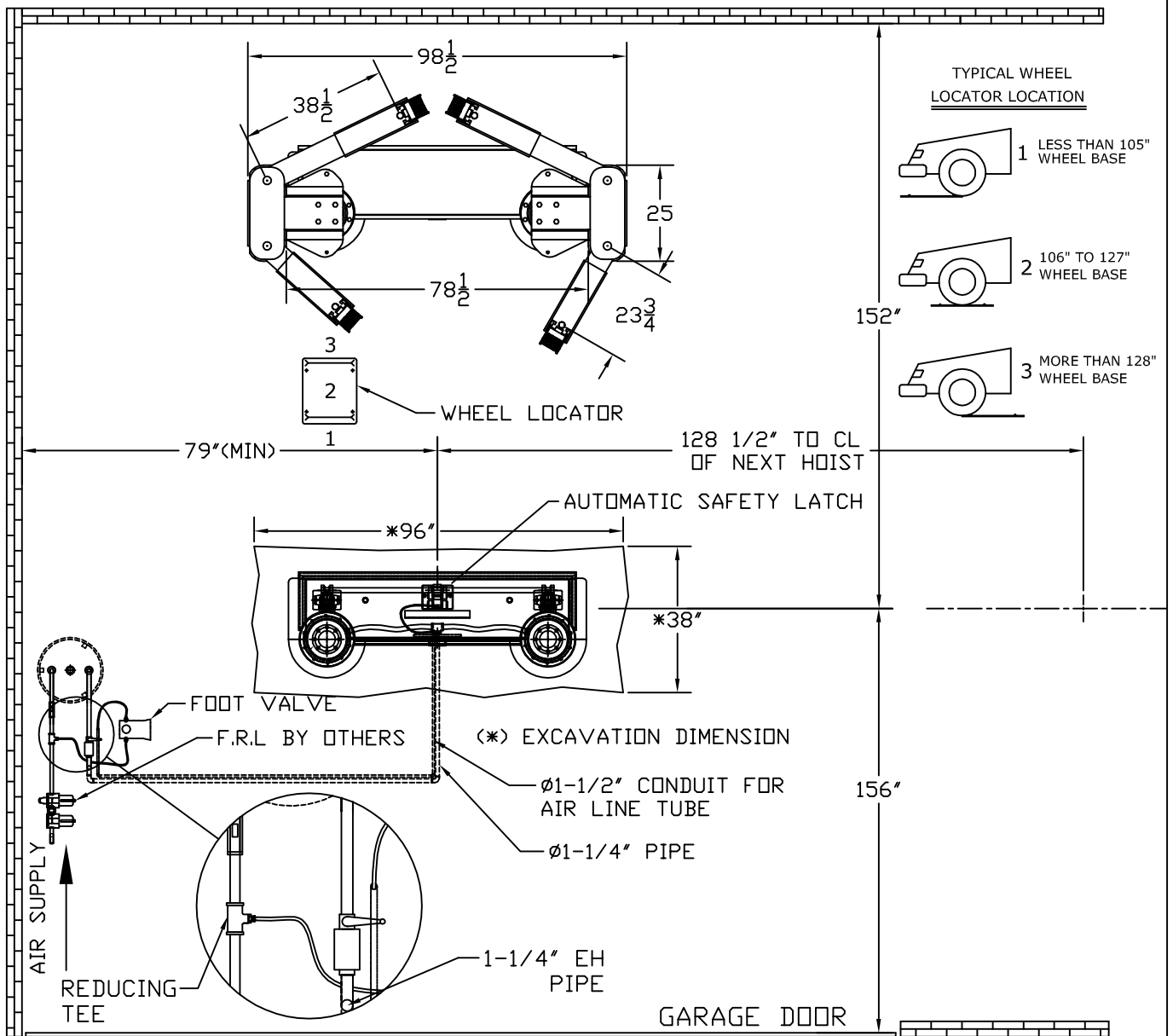
# INSTALLATION INSTRUCTIONS MAINTENANCE & OPERATIONS MANUAL



**MODEL: SS-28LP-57-1/2-12C**  
**CAPACITY: 12,000 LBS.**



35 Sinclair Avenue, Georgetown, ON L7G 1J3  
t. 905.702.2778 ■ f. 905.702.2759 ■ tf. 1.800.567.0014  
www.issmfg.com ■ info@issmfg.com



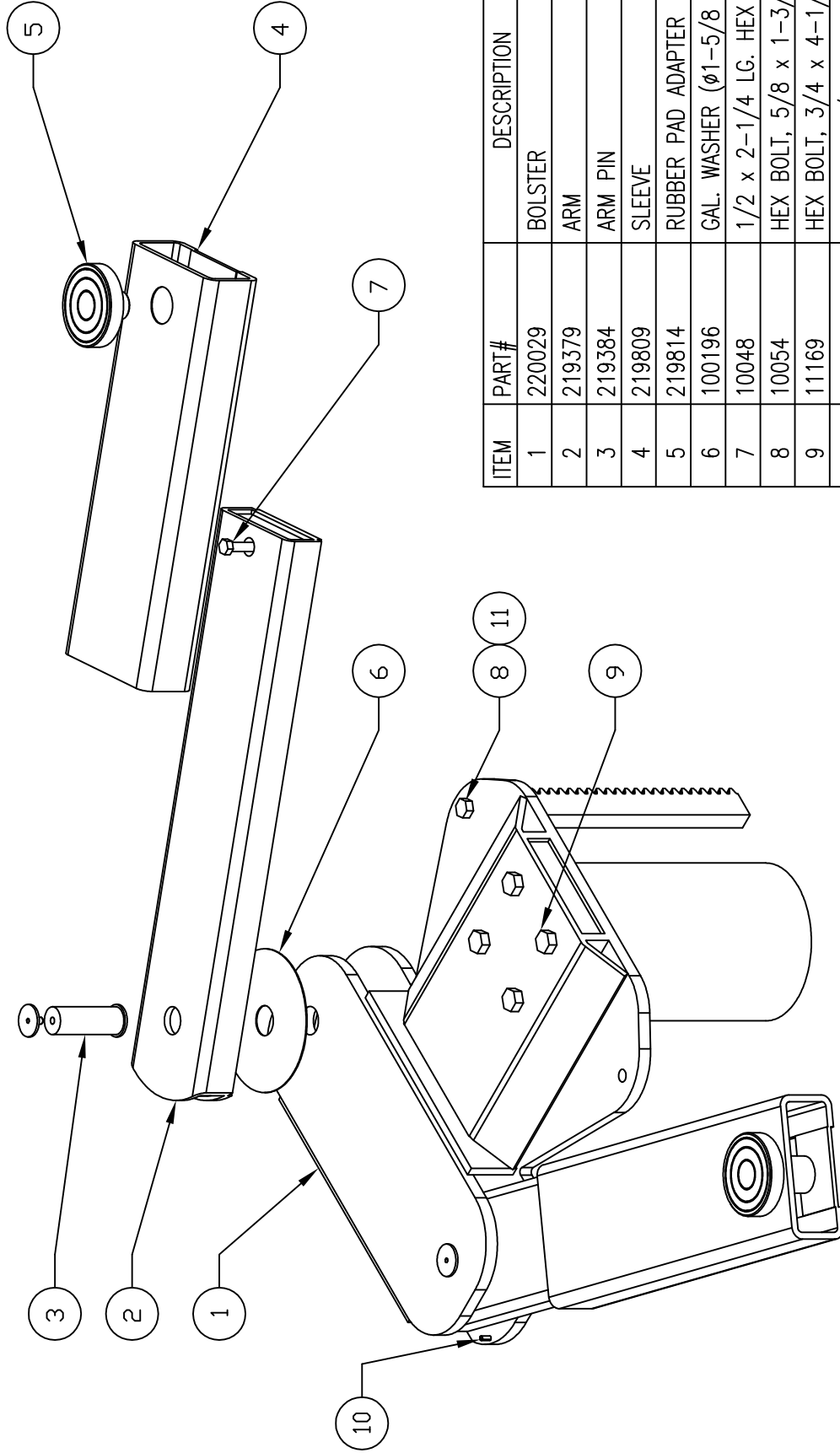
REV -

This disclosure is to be maintained in confidence. All invention rights disclosed herein reserved by I.S.S.  
**ISS INNOVATIVE**  
**STEEL SYSTEMS INC.**

TITLE **INSTALLATION LAYOUT**  
 SS-28LP-57-1/2

DATE **MAY 19 2006**

DWG. **128177**



ITEM	PART#	DESCRIPTION
1	220029	BOLSTER
2	219379	ARM
3	219384	ARM PIN
4	219809	SLEEVE
5	219814	RUBBER PAD ADAPTER
6	100196	GAL. WASHER (Ø1-5/8 HOLE)
7	10048	1/2 x 2-1/4 LG. HEX BOLT
8	10054	HEX BOLT, 5/8 x 1-3/4
9	11169	HEX BOLT, 3/4 x 4-1/2
10	12527	ROLL PIN, 1/4 x 1
11	10324	LOCK WASHER, 5/8

<small>This disclosure is to be maintained in confidence for the rights disclosed herein reserved by U.S. PATENT &amp; TRADEMARK OFFICE.</small> <b>INNOVATIVE SYSTEMS INC.</b>	UNSPECIFIED LIMITS: DEC. ±.010 ANGLE ±1/2° DEC. ±.005 FRAC. ±1/16	SCALE : NTS	APPR. DIVN. KL	NEXT ASSY. DATE	
	TITLE BOLSTER & ARM ASSEMBLY		SHT. OF	DWG. NO.	
REV. ZONE	REVISION DESCRIPTION	E.C.N. NO.	DATE	BY	CHKD
					128259