

WHIP INDUSTRIES, INC.

WS15 15,000 LBS CAPACITY

INSTALLATION INSTRUCTIONS & MANUAL

TWO POST ABOVE GROUND OVERHEAD LIFT

WHIP INDUSTRIES, INC

7711 WYATT DR.

FORT WORTH, TEXAS 76108

(817) 246-1088 FAX (817) 246-2898

E-MAIL: WhipInd@SWBell.net

LIFT SPECIFICATIONS FOR THE WS15

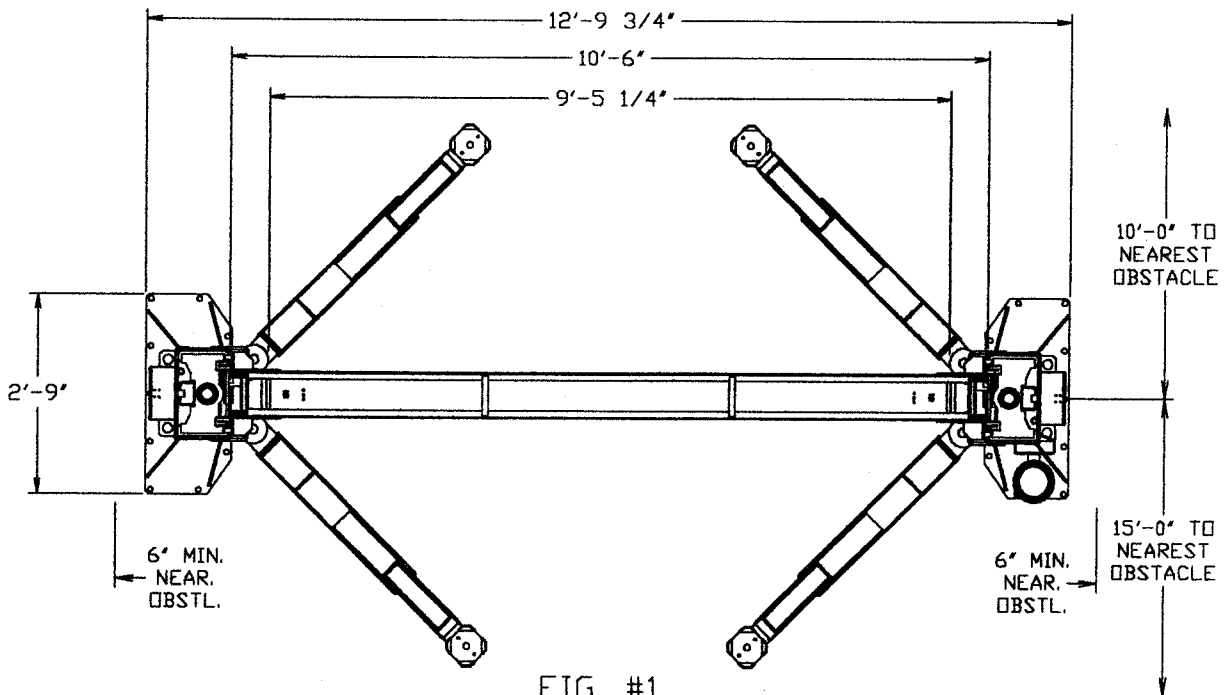
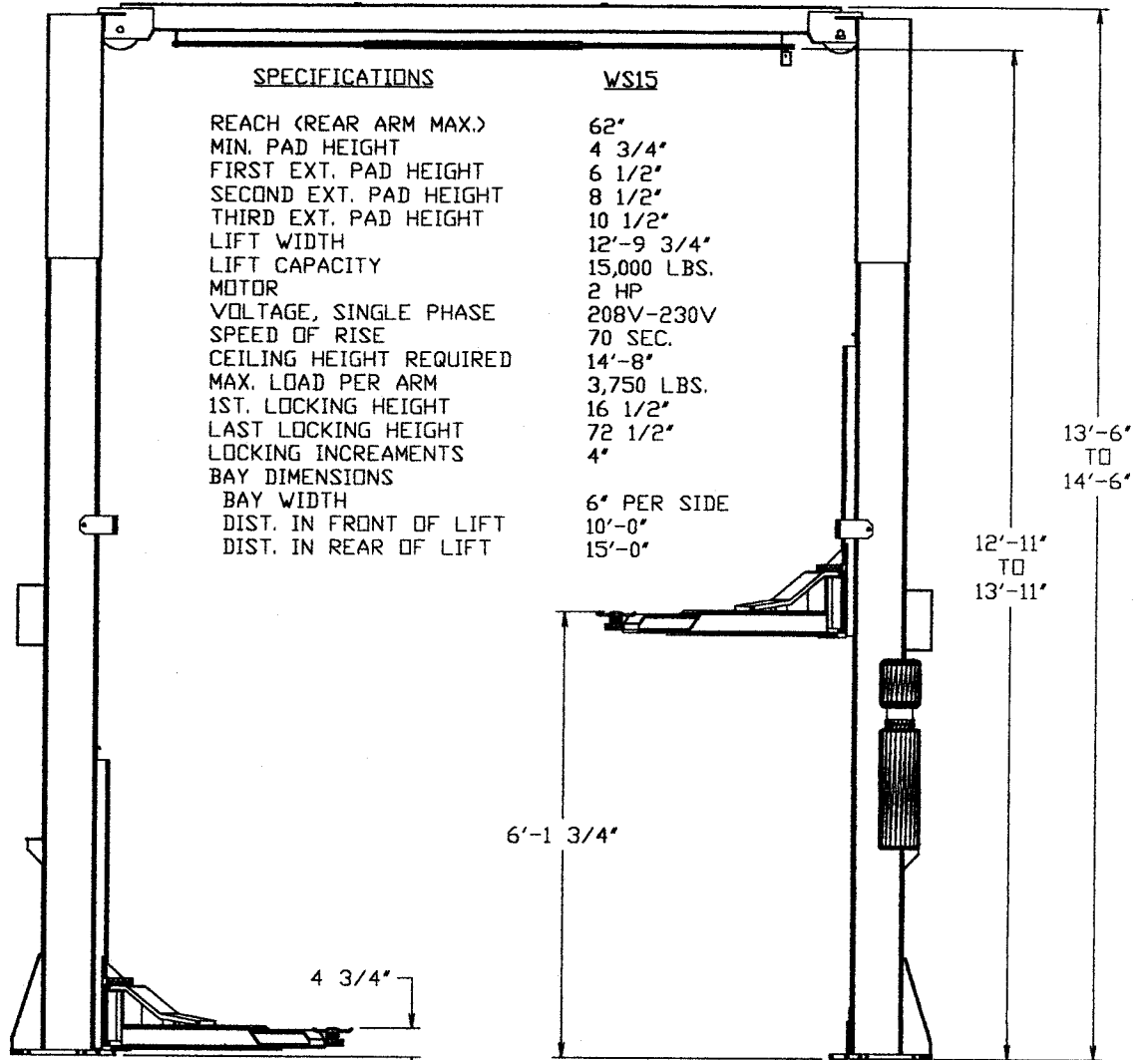


FIG. #1