

WHIP INDUSTRIES, INC.

WS20 20,000 LBS CAPACITY

INSTALLATION INSTRUCTIONS & MANUAL

TWO POST ABOVE GROUND OVERHEAD LIFT

WHIP INDUSTRIES, INC

7711 WYATT DR.

FORT WORTH, TEXAS 76108

(817) 246-1088 FAX (817) 246-2898

E-MAIL: WhipInd@SWBell.net

LIFT SPECIFICATIONS FOR THE WS20

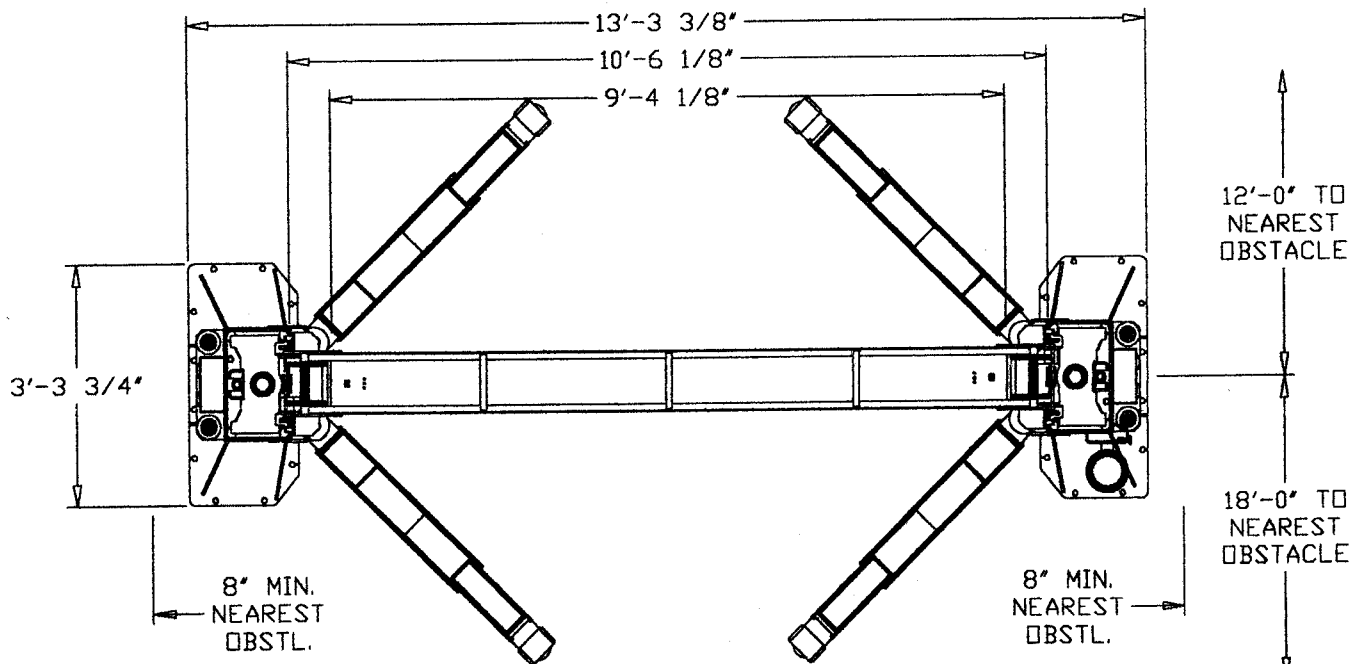
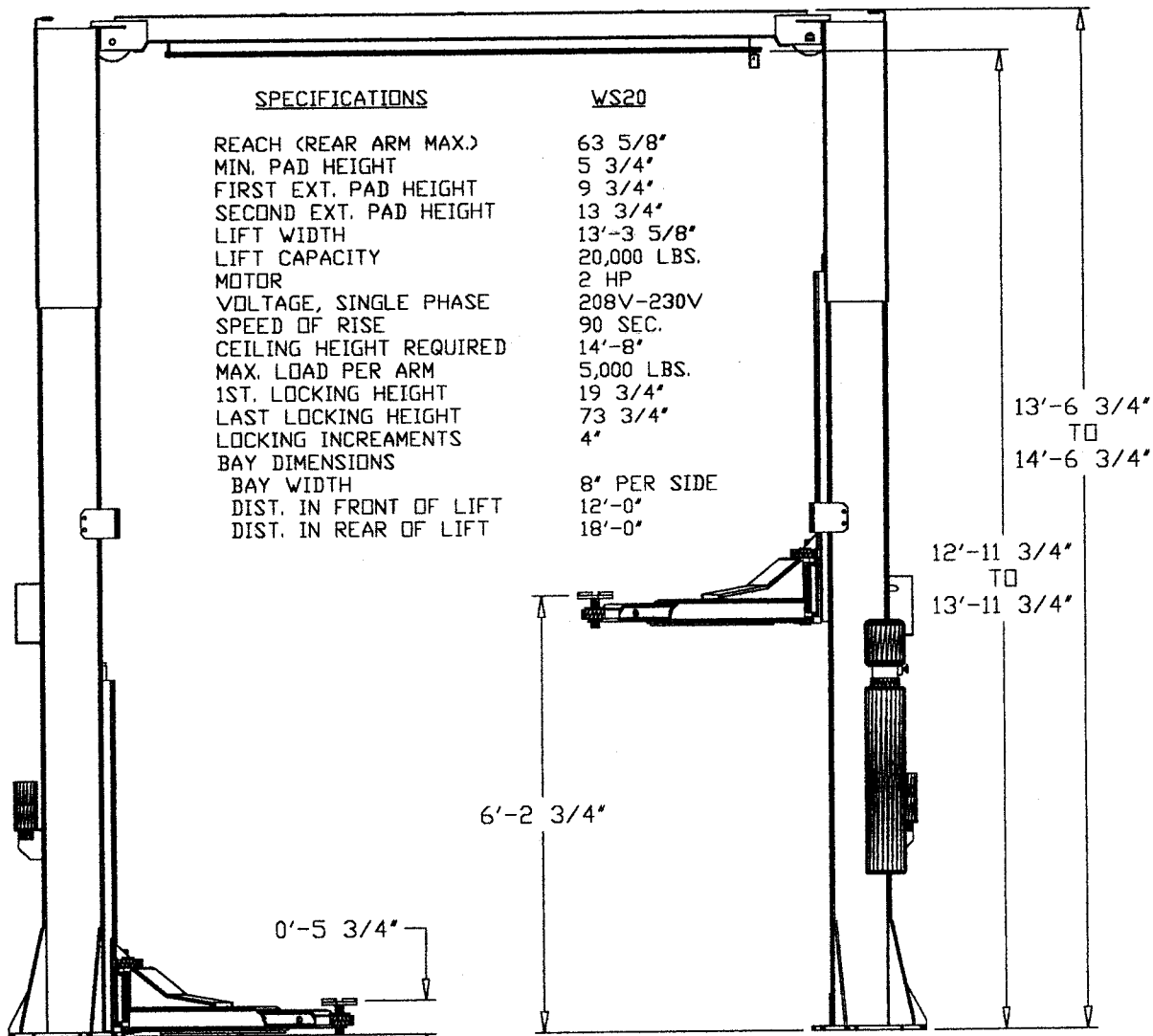


FIG. #1

CROSS BRIDGE ASSY. & EXTENSION TO LEG ASSY. DRAWING

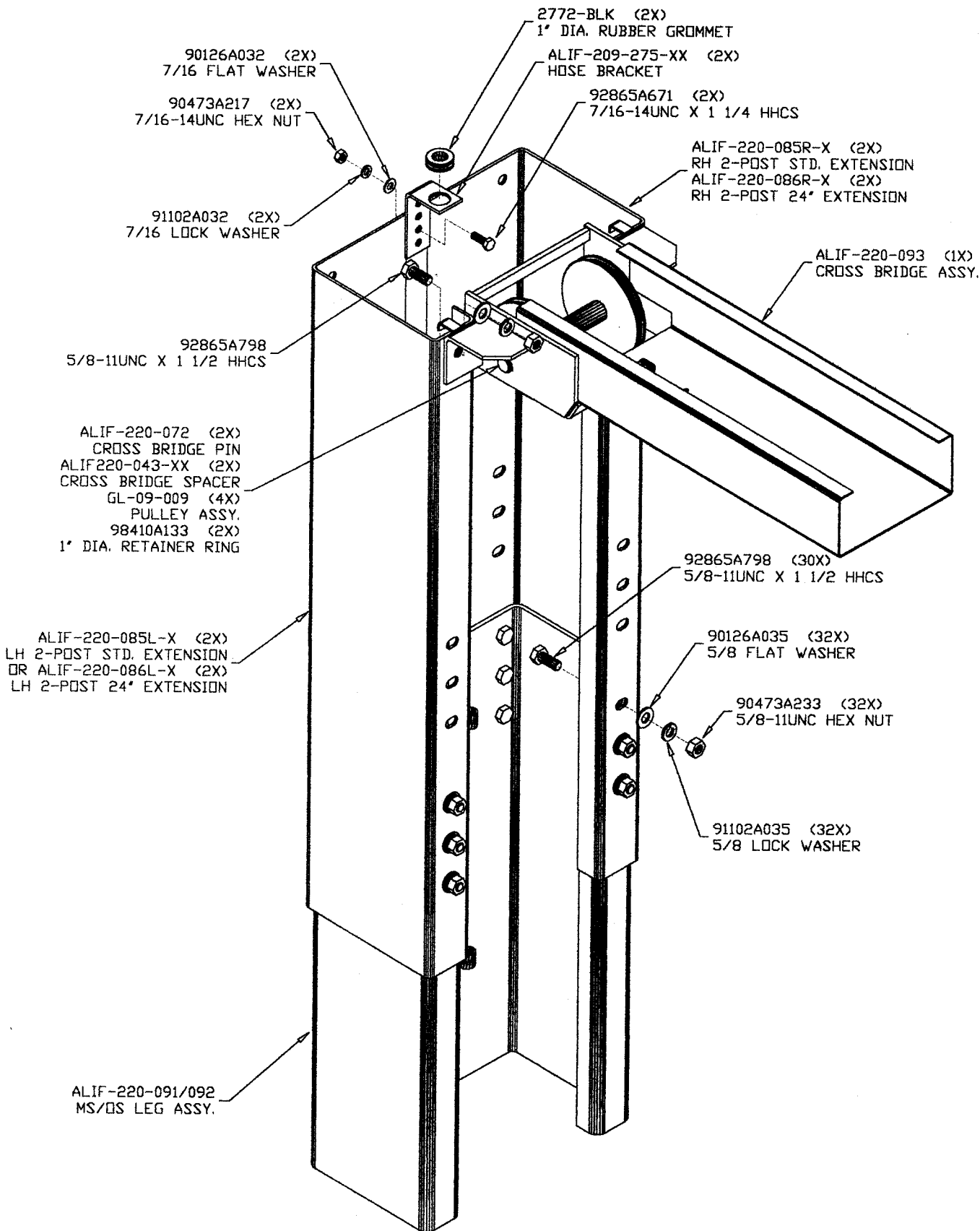


FIG. #3A

SINGLE POINT RELEASE ASSY.
& PNEUMATIC ASSY.

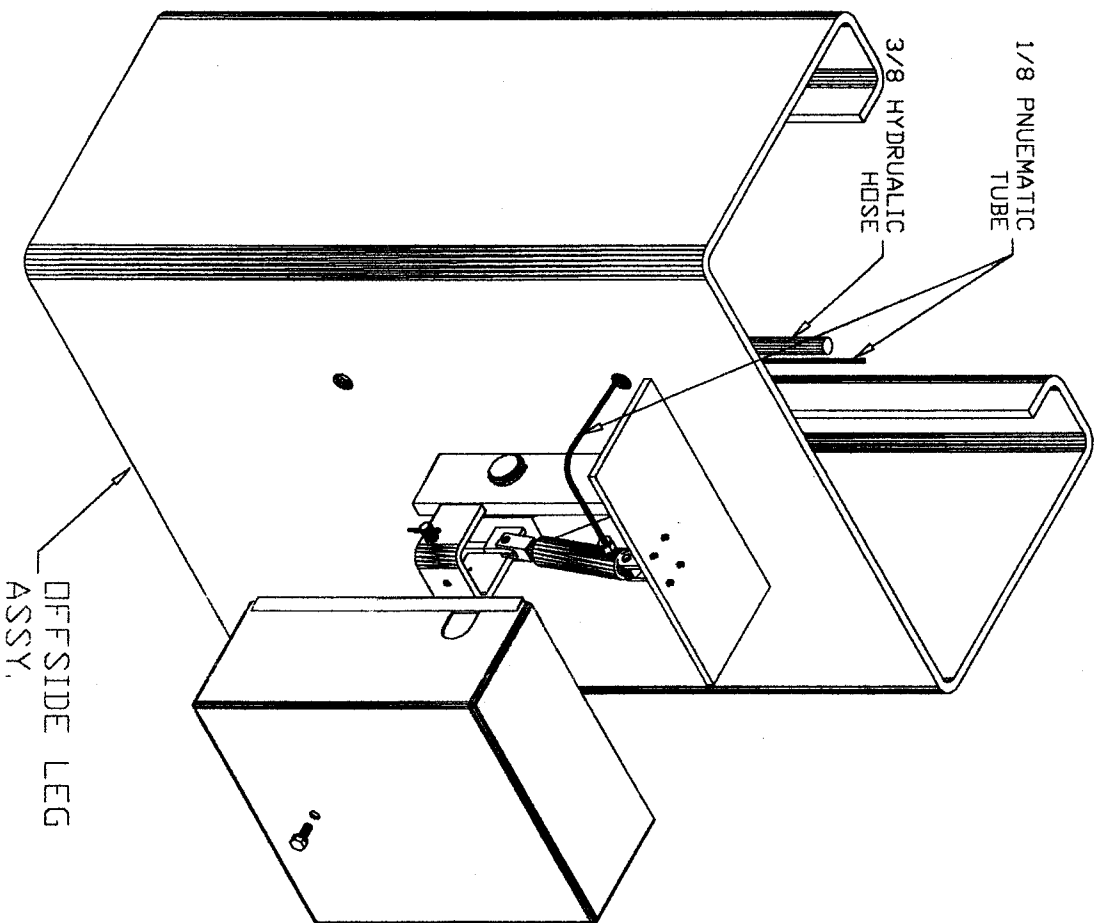
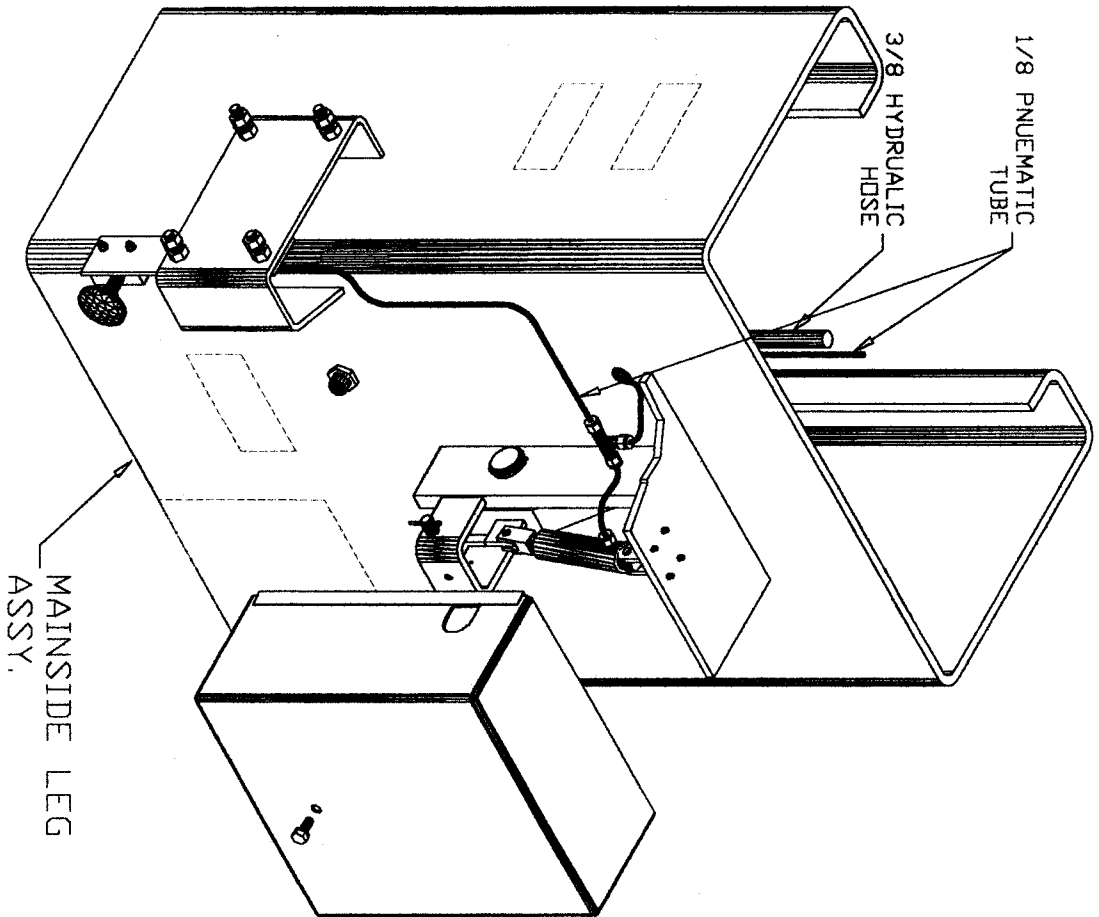
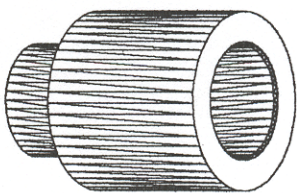
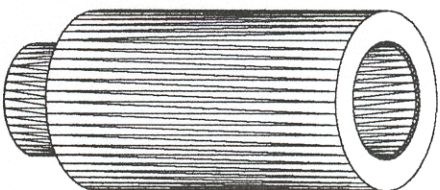


FIG. #5E

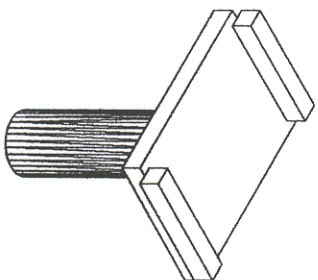
LIFT PAD &
EXTENSIONS



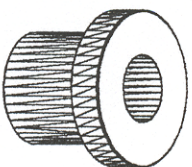
ALIF-220-083 4X
4" EXTENSION



ALIF-220-084 4X
8" EXTENSION



ALIF-220-076-XX 4X
FRAME ENGAGING ADAPTER



ALIF-220-095 4X
1 1/2" FLANGE NUT

FIG. #10